

Futon Life ^{FL}

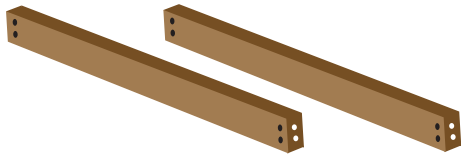
The Tri-fold with Arms

Laying out all the parts and hardware and identifying each part as shown may help as you assemble your frame.

NOTE: This frame and The Bi-fold with Arms share similar assembly instructions for the arms and stretchers.

Parts List:

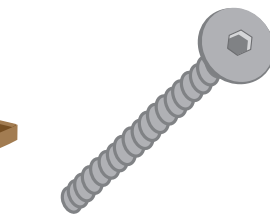
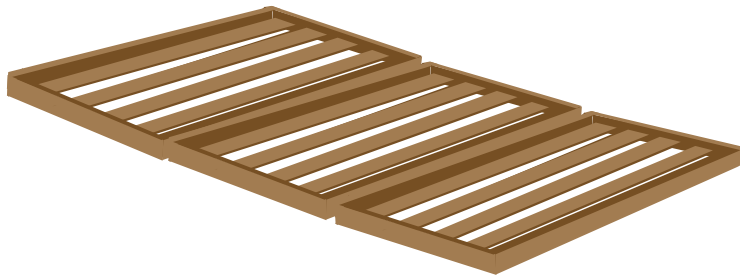
2 stretchers



2 arm assemblies



1 slat rack assembly with three sections



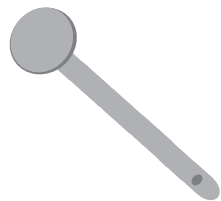
8 conformats



8 barrel nuts



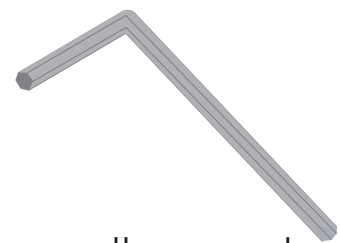
2 sliders



2 clevis pins



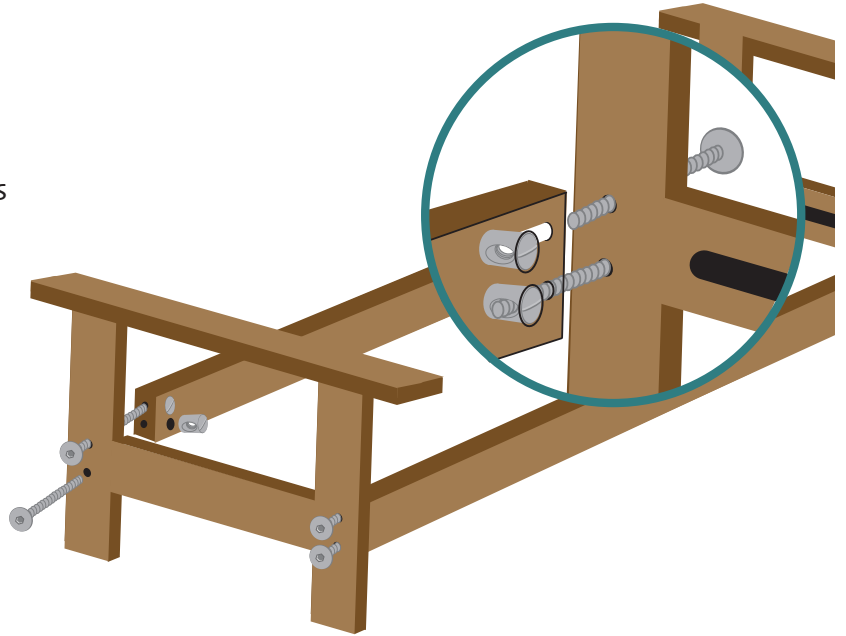
2 cotter pins



1 allen wrench

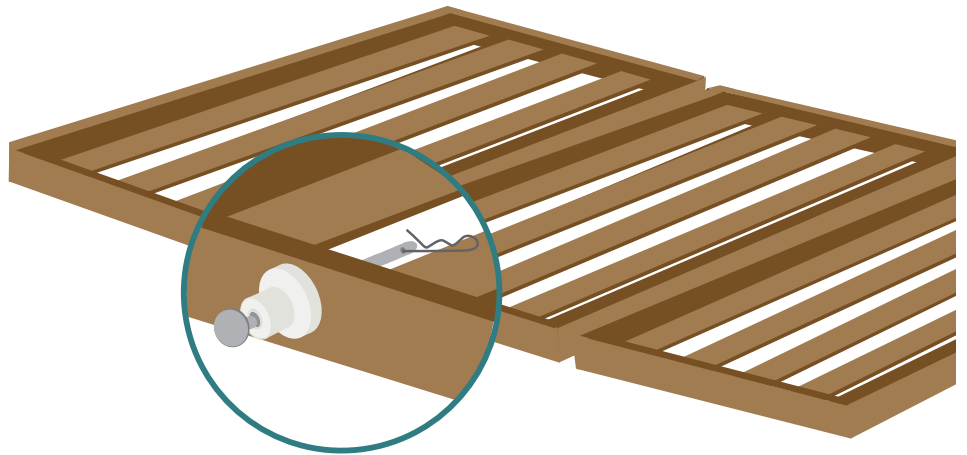
Assembly Instructions:

1 Lay out the arms and stretchers as shown. Insert the barrel nut into the stretcher with the groove in the barrel nut facing you. Next, connect the stretchers to the arms by screwing the conformat through the arm into the stretcher and into the barrel nut. You can use a screwdriver to align the barrel nut with the conformat screw. Follow this process with the other 7 holes, there are 2 holes per corner.

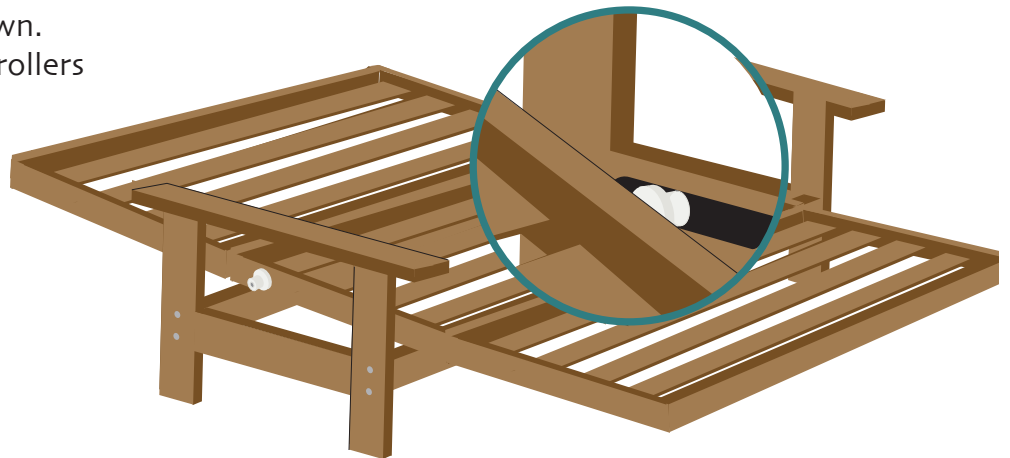


NOTE: Do not tighten the conformat screws, make sure the frame is kept loose.

2 Lay out the slat rack flat and attach the slide rollers to each end of the middle section with a clevis pin and cotter pin.



3 Lower the slat rack into the frame as shown. Line up the slide rollers to the grooves in the arms.

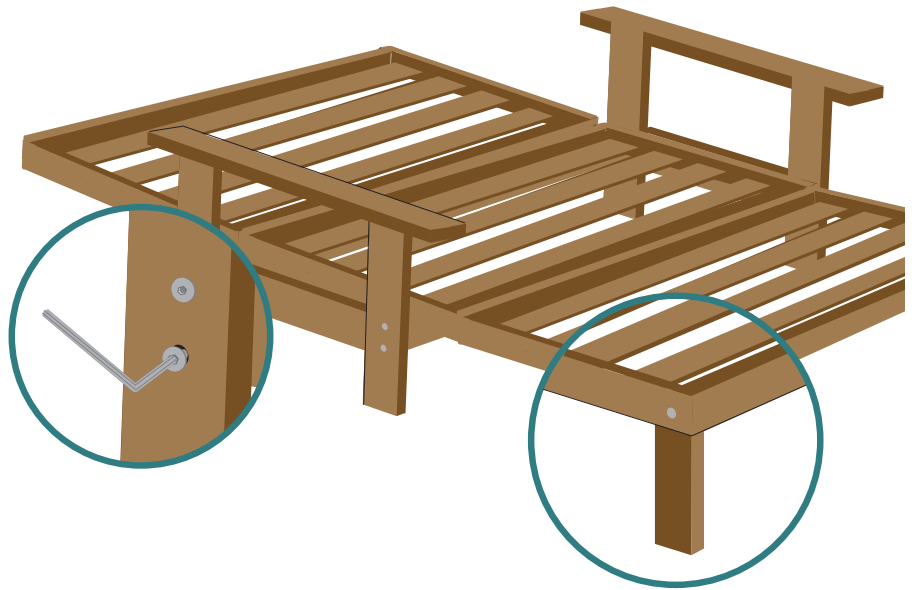


4

Once the deck is lined up and in place, tighten the stretchers.

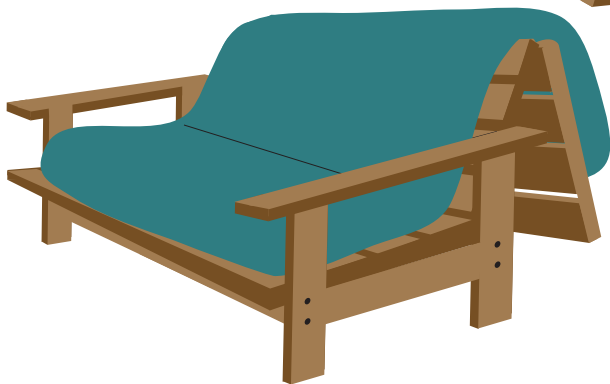
CAUTION:
Over tightening can damage the stretcher.

Note: Some frames have small fold down legs to support the slat rack corners.



5

You can now fold your frame into the sitting position and place the futon mattress on it.



This information is copyright of Futon Life and RTP Publications, Inc and is intended for informational purposes only. Any commercial use or reproduction is expressly prohibited. All rights reserved.